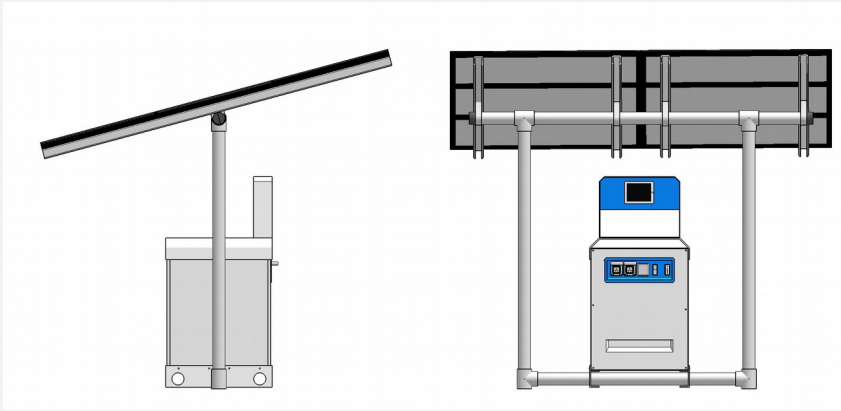


K-SERIES 203



APPLICATIONS

Power and light are the foundations of a stable and secure community. The ZeroBase K-SERIES offers both in a compact, easy-to-use, and simple-to-install product.

- **Government agencies** Power for schools and offices
- **Medical facilities** Clean, digital-quality, uninterruptable power for remote clinics
- **Agriculture** Power for local markets, food processing, irrigation, and cold storage
- **Rural electrification** Lighting and power for communities

ZEROBASE ADVANTAGES

- **Value** ZeroBase systems are designed for deployment at scale with lower installation, maintenance, and lifecycle costs than custom designs or site-integrated systems
- **Reliability** ZeroBase systems require minimal training and are built to be transported, installed, operated, and maintained in austere environments by local service providers
- **Bankability** ZeroBase systems are engineered for reliability, are manufactured with strict quality control, and are backed by ZeroBase and component manufacturer warranties
- **Solutions** ZeroBase brings a full suite of energy solutions – engineering, distribution, lighting, metering – to projects too small or remote for large PV developers to address
- **Mission-driven** ZeroBase is committed to our mission of making clean energy and its benefits available to everyone, including the billion people without access to reliable sources of power

SPECIFICATION

CAPABILITIES	
AC Service	5.0 kW nominal, 10.0 kW max Single-phase 230 V, 50 Hz Three-phase 230/400 V, 50 Hz
AC Input	230 V, 15 A
Outlets	AC: (2) 230 V, 15 A DC: (1) 12 V, 10 A (4) 5 V USB
Battery, Lithium	5.0 kWh LiFePO4 10 yrs / 3000+ cycles
Solar	1.26 kW of solar PV
Monitoring & Management	System control panel Remote system monitor Battery level and health
Model number	KSP-ZB-203-01
Environment	-28° to 60° C
IP Rating	IP 54
Gross Weight	160 kg
Size	W72 x L106 x H97 cm
Includes	4 Replacement filters
Options	Remote monitoring Battery expansion up to 10.4 kWh Generator remote-start kit 7.9 inch LCD screen